

TC-DFB Series 1064nm DFB Laser Light Source

Product Description

TC-DFB series 1064nm DFB laser light source adopts foreign high-performance DFB laser chips, uniquely designed ATC and APC circuits and isolation control to ensure extremely high power and wavelength stability. The light source can be externally connected to electro-optical modulator to generate nanosecond or even picosecond narrow pulse width pulsed light through external pulse source, as a high-power fiber laser or solid-state laser seed source, which can be applied to laser ranging, LIDAR and other fields.



Features

- Built-in optical isolator
- Modular, desktop package available

Applications

- High power laser seed source
- LIDAR
- Laser Ranging

Extreme conditions

Parameter	Symbol	Unit	Minimum Value	Typical Value	Maximum Value
Working Temperature	Top	°C	-5		55
Storage Temperature	Tst	°C	-40		85
Humidity	RH	%	5		90



Performance Parameter

Parameter	Symbol	Minimum Value	Typical Value	Maximum Value	Unit
Working Wavelength	λ	1063	1064	1065	nm
Output Optical Power	P _o	-	20	50	mW
Line Width*	Δλ*	0.1	-	3	MHz
Side Mode Rejection Ratio	SMSR	30	45	-	dB
Relative Noise Intensity	RIN	-	-150	-140	dB/Hz
Power Stability**	P _{SS}	-	-	±0.005	dB/5min
	P _{LS}	-	-	±0.01	dB/8h
Isolation at The Output	ISO	30	-	-	dB
Specification		Desktop		Module	
Dimension L x W x H		320×220×90 mm		80×100×24 mm	
Power Requirements		AC 220V ± 10% 30W		DC +5V	
Output Fiber		HI980 /PM980			
Working Model		CW			
Optical Connectors***		FC/PC、FC/APC			

*Line width optional 1MHz, please contact sales for specific requirements.

**Test conditions: CW, Top=25°C.

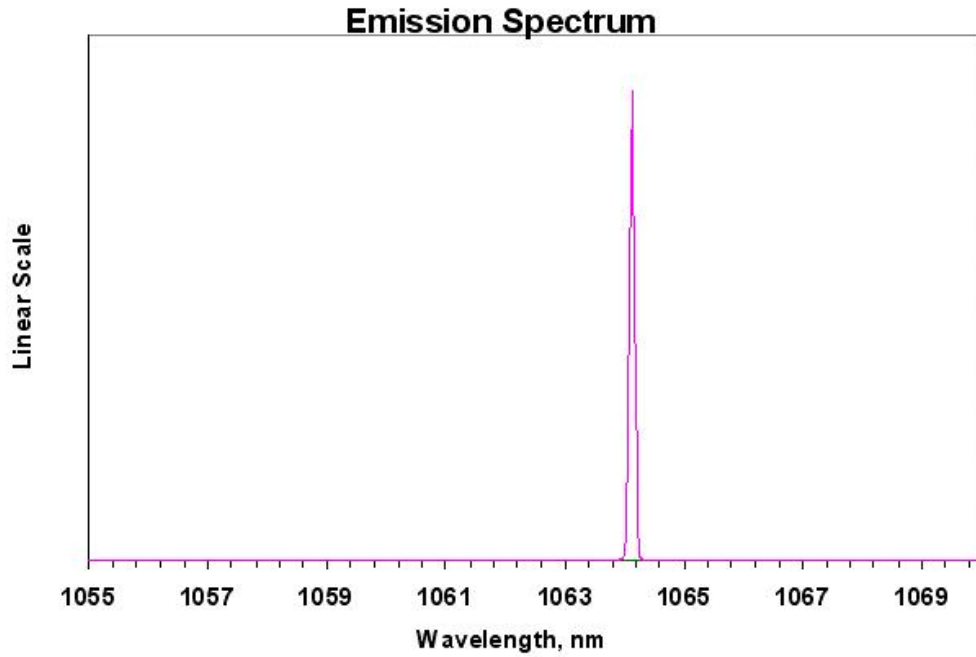
***SC, LC, MU, ST connectors are available by contacting sales

Ordering Information

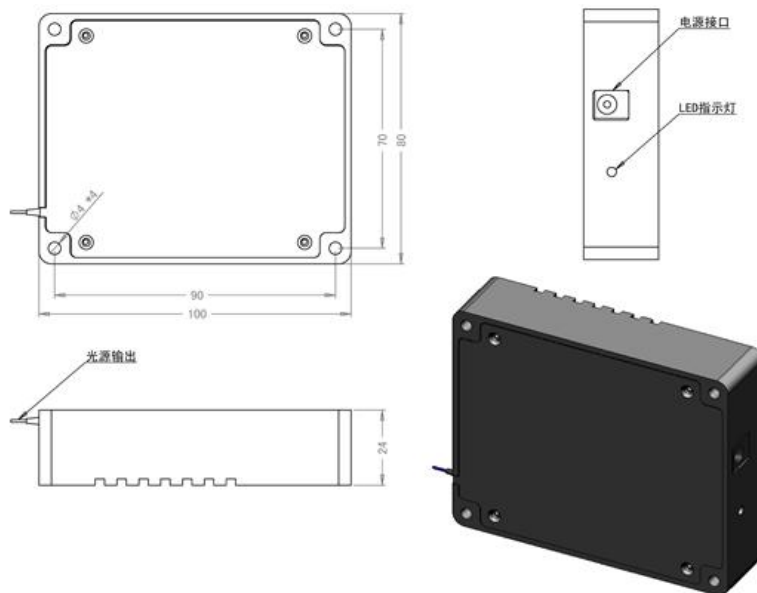
TC	DFB	1064	X	XX	X	XX	XX
	DFB	Wavelength: 1064nm	Package: M---Module D---Desktop	Power: 20----20mW	Pigtail: P---PMF S---SMF	Fiber optic connectors: FP---FC/PC FA---FC/APC SP---User specified	Line Width: Empty-- 3MHz 01--1MHz



Typical Spectrum



Internal structure



(单位: mm)

